

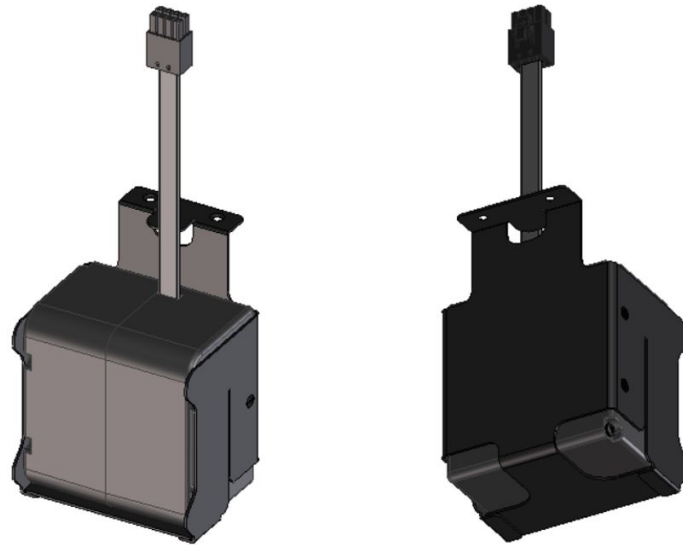


PDX Accessory Kit Installation

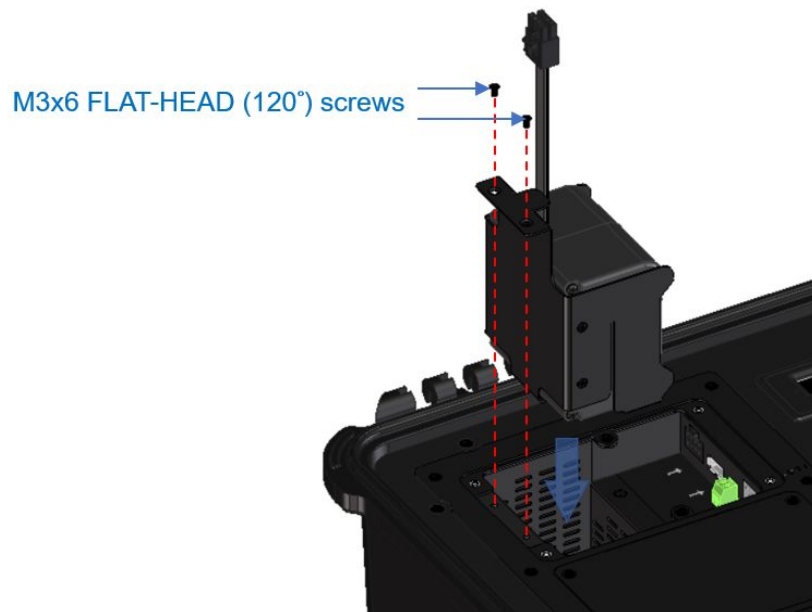
Mar 2021

Procedures

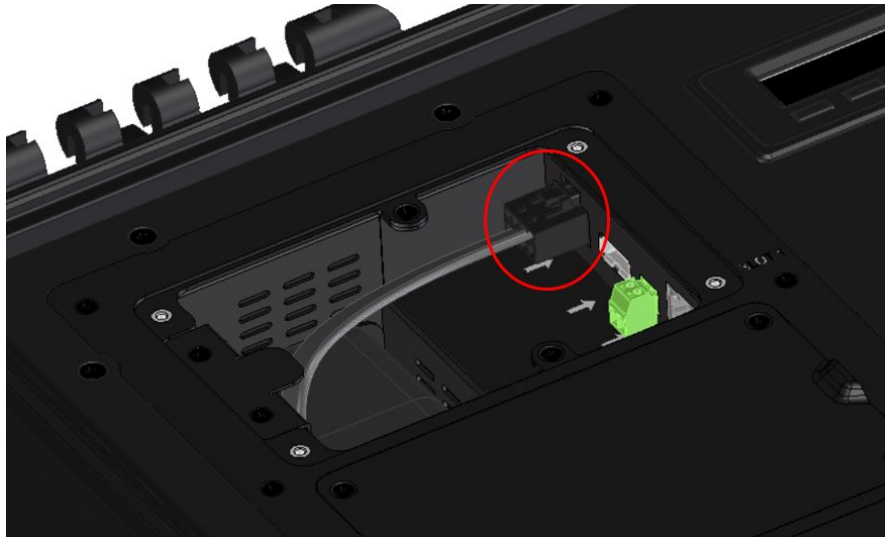
Battery Set appearance



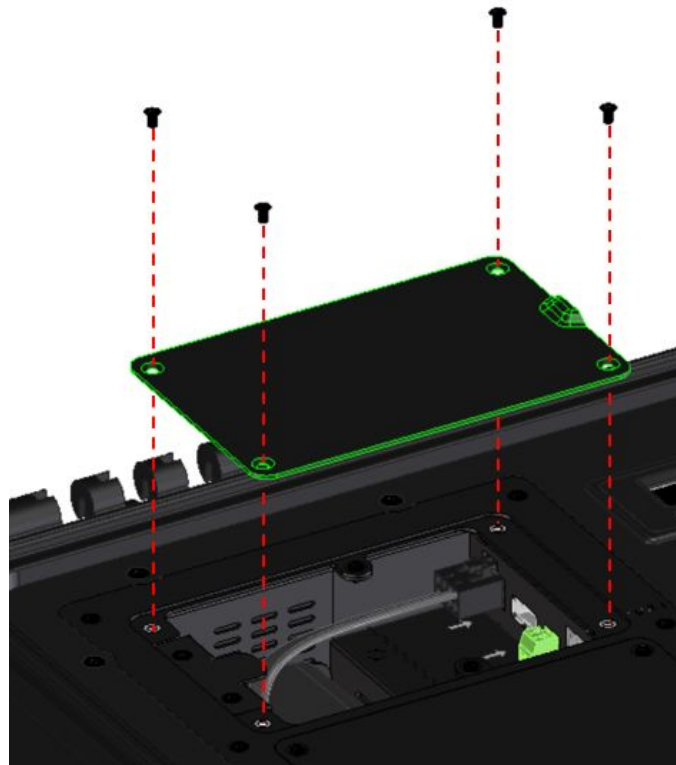
Step 1: Secure the battery set in the slot with two M3 screws.



Step 2: Plug the power cable into the socket.

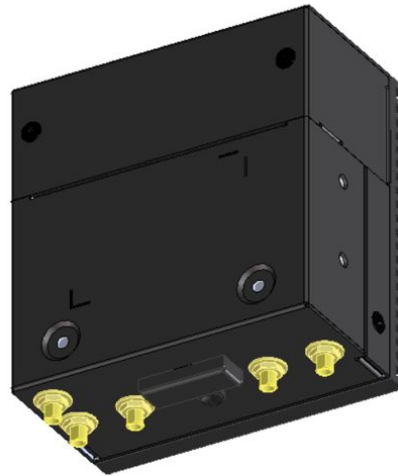


Step 3: Secure the slot cover in place with four M3 screws.

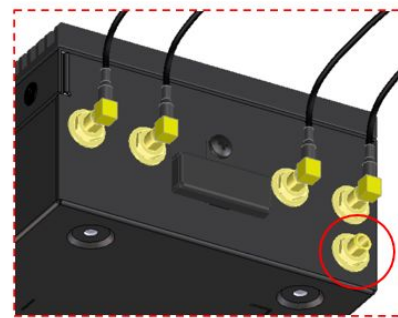


Procedures

SFE-DUO Set appearance

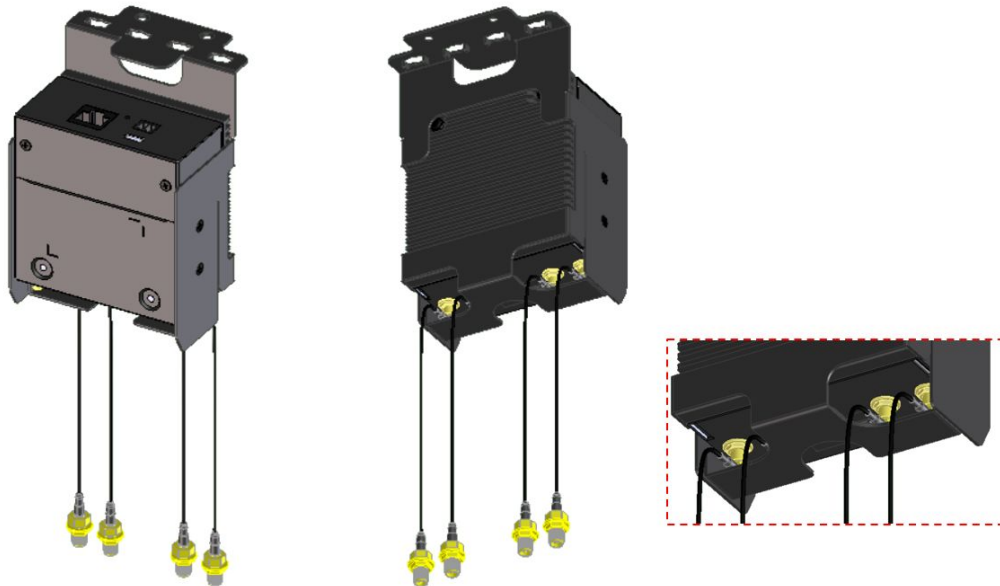
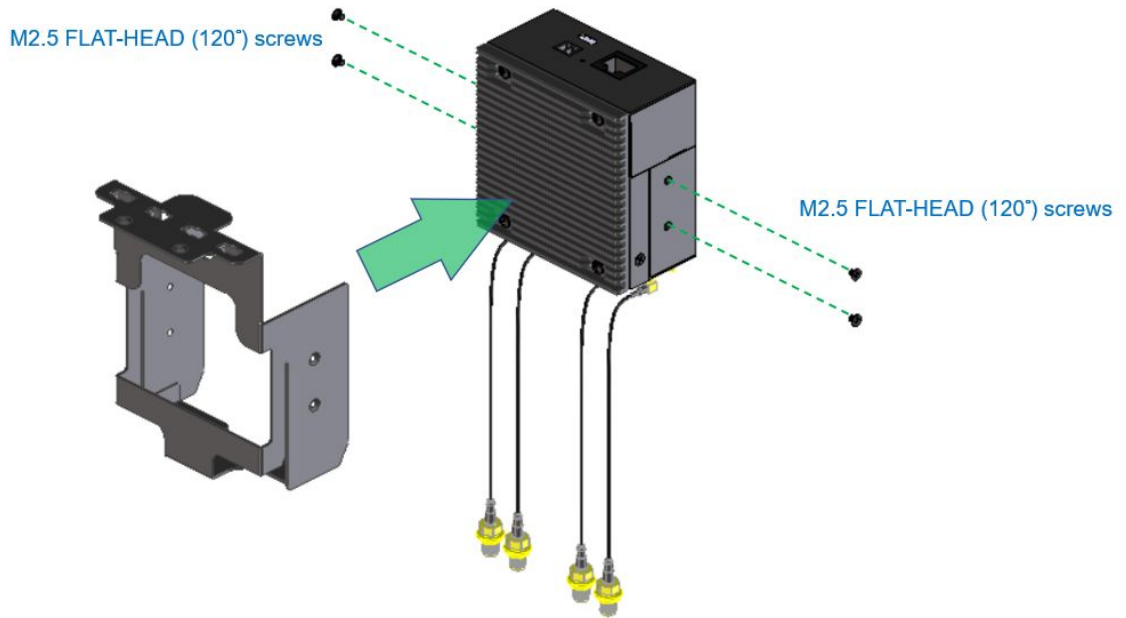


Step 1: Connect SMA cables to the device.

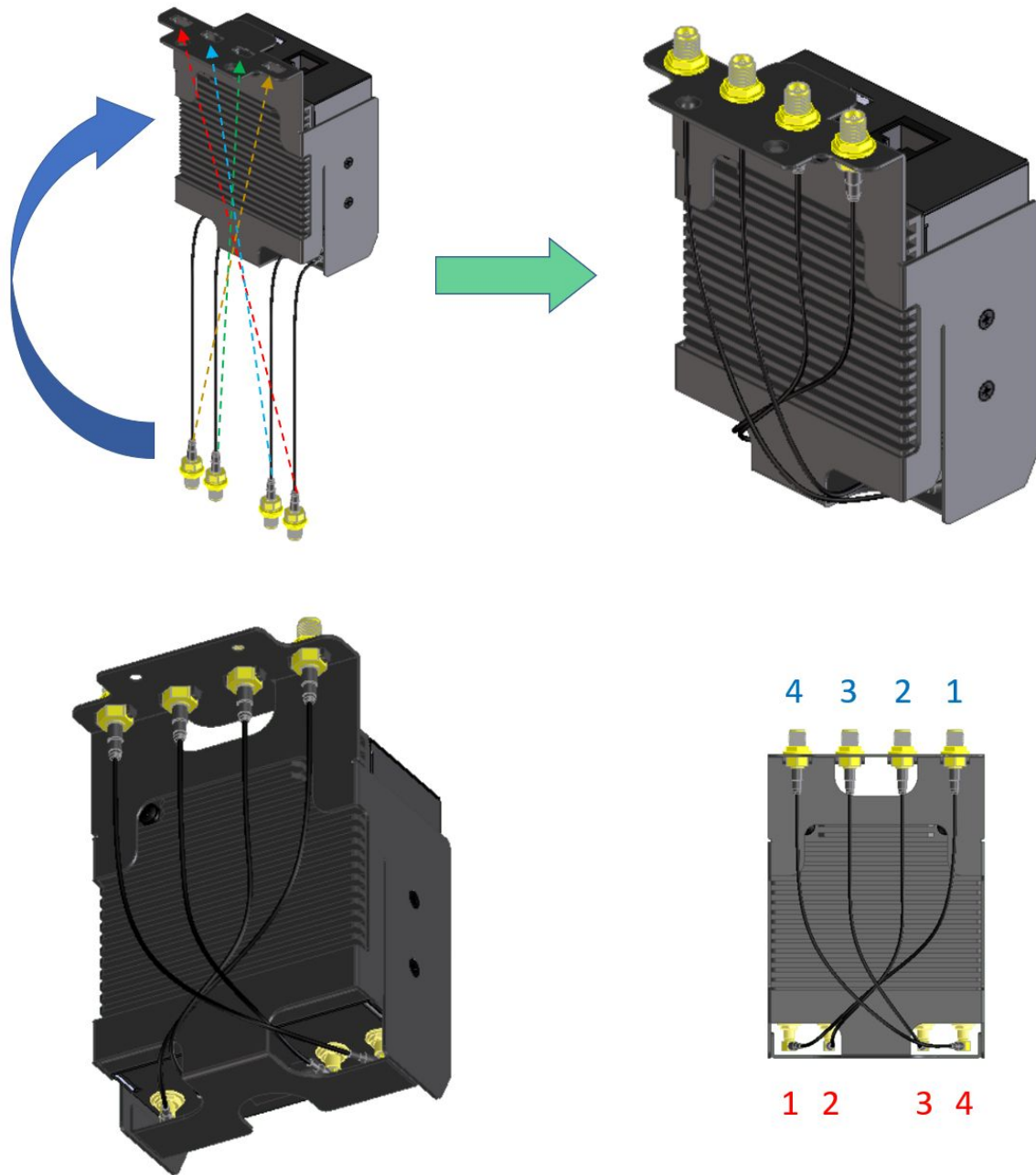


GPS port not in use

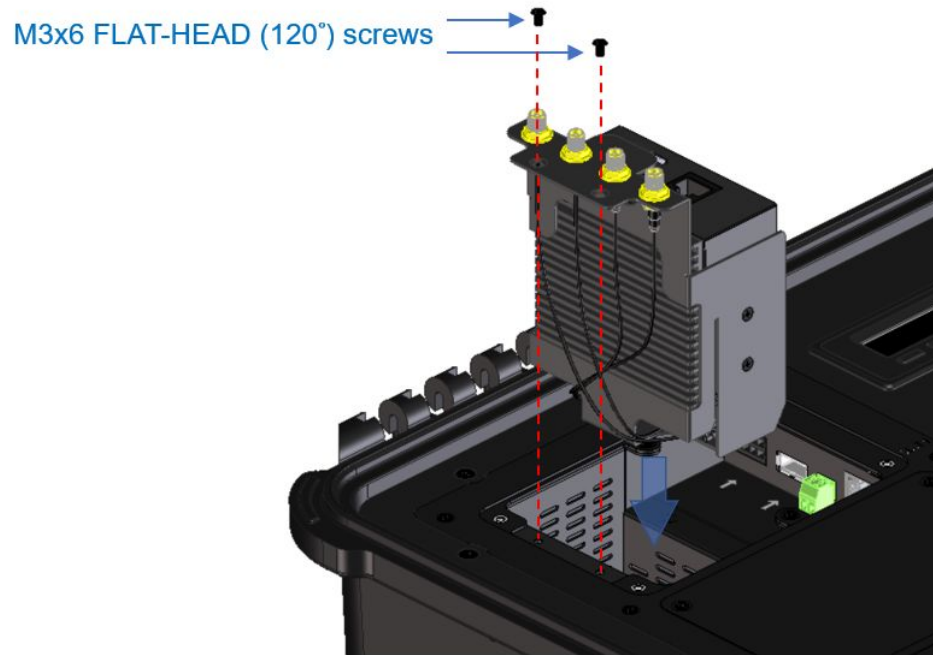
Step 2: Assemble the bracket to the device.



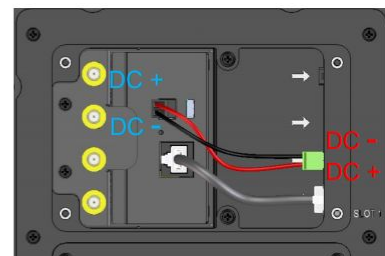
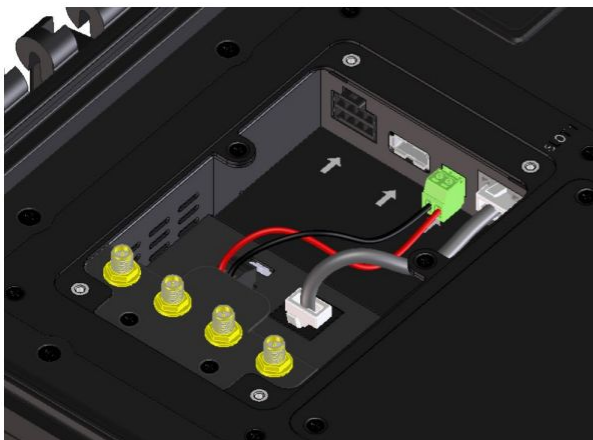
Step 3: Assemble the SMA connectors to the device.



Step 4: Secure the SFE-Duo set into the slot with two M3 screws.



Step 5: Connect the DC power and ethernet.



Step 6: Secure the slot cover with four M3 screws.

